





Stripping Tools & Accessories

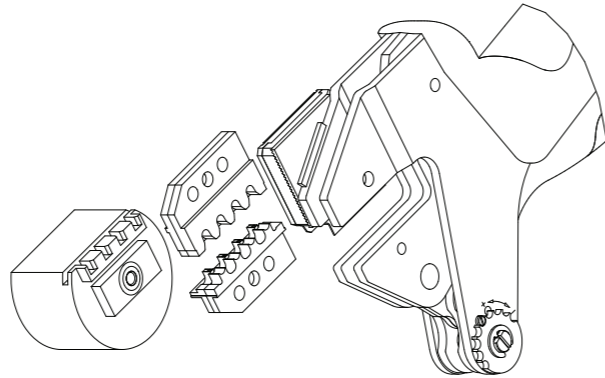
Tool	Delphi P/N	Rennsteig P/N	Description
	13782709	707 020	MultiStrip® 10 self-adjusting wire insulation stripper
	13791715	707 024	Spare Parts: Spare blade and red button for MultiStrip® 10, Allen and open-end wrench and screwdriver for PEW 12. Regular M4 nut and lock nut; Screws with Allen head M4x11, 16, 18, 25 mm for die assembly
	13791711	708 244 6	Standard Insulation Stripper for AWG 30/28/26/24/22/20 cable
	13781712	708 212 6	Standard Insulation Stripper for AWG 20/18/16/14/12/10 cable
	13791713	708 248 6	Standard Insulation Stripper for AWG 26/24/22/20/18/16 cable
	13791714	708 321 6	Standard Insulation Stripper for AWG 0.35/0.5/0.75/1.0/1.5/2.5/4.0 mm2 cable

Measuring Tool

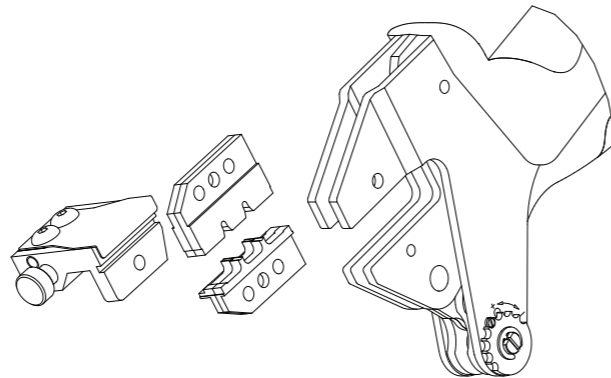
Tool	Delphi P/N	Rennsteig P/N	Description
	13782719	690 000 1	Electronic Digital Calipers, specially shaped measuring surface to provide exact measurement of crimp height and width

Available Die Set and Locator combinations

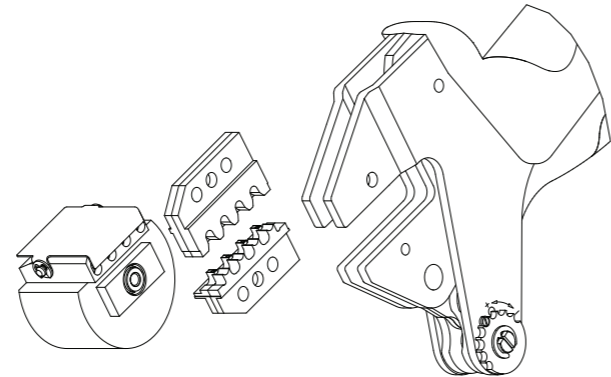
Type 1: Box & Blade Terminal



Type 2: Pin & Sleeve Terminals



Type 3: Pin & Sleeve Terminals



German manufacturing plant

Get connected with Rennsteig - call or go online:

Sales Office

301 Route 17 North,
Suite 800
Rutherford, NJ 07070

fon: 330-315-3044

fax: 330-319-8135

mobile: 201-275-5981

web: www.rennsteig.us

mail: sales@rennsteig.us

Technical Support

fon: 330-974-0100

fax: 330-319-8135

mobile: 201-275-5980

web: www.rennsteig.us

mail: tech@rennsteig.us

Headquarter Germany

An der Koppel 1
98547 Viernau


fon: 011 49 3 68 47 441 0


fax: 011 49 3 68 47 441 17


mail: info@rennsteig.com


Warehouse


403 Kennedy BLVD
Somerdale, NJ 08083

 facebook.com/rennsteigtools

 gplus.to/RennsteigTools

 linkedin.com/company/rennsteig-tools-inc.

 twitter.com/RennsteigTools

 youtube.com/RennsteigToolsInc



WWW.RENNSTEIG.US

We are the manufacturer. WE KNOW HOW!

Automotive Wiring and Harness Products

Accessories and Tools specially designed for the automotive industry



RENNSTEIG
The Right Tool.

WWW.RENNSTEIG.US

Sets & Accessories

Tool	Delphi P/N	Rennsteig P/N	Description
	13782721	624 000 3 DEL	Crimp Tool PEW 12 with Allen Wrench and open-end wrench in cardboard box
	13782722	624 101 3 DEL	Crimp Tool PEW 12 with screws, open-end wrench, allen wrench, screw driver in plastic carrying case
	13782723	624 104 69 DEL	Crimp Tool PEW 12 - MultiStrip® 10 self-adjusting wire stripper - with screws, open-end wrench, allen key, screw driver, in plastic carrying case
	13782716	624 40106 RT	Plastic carrying case, empty with inserts for 10 Die Set kits
	13782724	636 000 1	Toggle Press (mechanical) with die adapter designed to match all PEW 12 series crimping dies, locators and wire stops

Notes:

- Black oxide or chrome on the PEW 12 hand tool and black oxide on the crimp die set.
- Blue and Red two-component handles on PEW 12.
- Crimp dimensions are controlled to ESA 605. Crimp geometry is based on Delphi tool drawings for thin wall and regular SAE cable.
- Heat treated crimp tooling (Die Set).
- Crimp jaw surfaces are polished.
- Crimp heights are preset at the factory, but can be adjusted to fine tune, if desired.
- Die sets are shipped separate from the PEW 12 crimp tool.
- Tool supplier to maintain validation records and available upon request by customer and/or available on specified web site.
- Terminal part number and cable crimp applications for die sets are controlled by customer and/or supplier web site.

Die Set Data

Type 1:

- Die Set
- Locator
- Wire Stop

in small plastic case with Data Sheet and mounting screws



Type 2:

- Die Set
- Hinged Locator

in small plastic case with Data Sheet and mounting screws



Type 3:

- Die Set
- Locator

in small plastic case with Data Sheet and mounting screws



Delphi P/N	Product Family	Rennsteig P/N	Rev
13782640	DHD 1.6	624 1447	A
13782641	Weather Pack Sealed	624 1476	A
13782642	Micro Pack 100W	624 1480	A
13782643	Metri Pack 630 P2S	624 1481	A
13782644	Metri Pack 630 Sealed	624 1482	A
13782645	Metri Pack 630 P2S	624 1483	A
13782646	Metri Pack 630 Sealed	624 1484	A
13782647	GT 280 Unsealed	624 1485	A
13782648	GT 280 Sealed	624 1486	A
13782649	GT 150 Unsealed	624 1487	A
13782650	GT 150 Sealed	624 1488	A
13782651	GT 150 Sealed	624 1489	A
13782652	Metri Pack 150 P2S	624 1490	A
13782653	MTS-B - Micro Term System 0.64 for USA Micro Term. System 0.64 for US	624 1491	A
13782654	GT 280 Sealed	624 1492	A
13782655	GT 280 Unsealed	624 1493	A
13782656	Metri Pack 150 Sealed	624 1494	A
13782657	Metri Pack 150 Sealed	624 1495	A
13782658	Metri Pack 150 Unsealed	624 1496	A
13782659	Metri Pack 150 Unsealed	624 1497	A
13782660	Metri Pack 280 Sealed	624 1498	A
13782661	Metri Pack 280 P2S	624 1499	A
13782662	Metri Pack 280 P2S	624 1500	A
13782663	Metri Pack 280 Sealed	624 1501	A
13782664	Metri Pack 280 Sealed	624 1502	A
13782665	Metri Pack 280 Sealed	624 1503	A
13782666	Metri Pack 280 Unsealed	624 1504	A
13782667	Metri Pack 280 Unsealed	624 1505	A
13782668	Metri Pack 280 Unsealed	624 1506	A
13782669	Metri Pack 280 Unsealed	624 1507	A
13782670	Metri Pack 280 Unsealed	624 1508	A
13782671	Metri Pack 630 Unsealed	624 1509	A
13782672	Metri Pack 630 Unsealed	624 1510	A
13782673	Metri Pack 630 Unsealed	624 1511	A
13782674	Metri Pack 630 Unsealed	624 1512	A
13782675	Metri Pack 280 Sealed	624 1513	A
13782676	Metri Pack 630 Sealed	624 1515	A
13782677	Metri Pack 480 Sealed	624 1516	A
13782678	Metri Pack 480 Sealed	624 1517	A
13782679	Metri Pack 480 Sealed	624 1518	A
13782680	Metri Pack 480 Unsealed	624 1519	A
13782681	Metri Pack 480 Unsealed	624 1520	A
13782682	Metri Pack 480 Unsealed	624 1521	A
13782683	Metri Pack 150 Sealed	624 1527	A
13782684	Weather Pack Sealed	624 1528	A
13782685	Metri Pack 280 Sealed	624 1529	A
13782686	Metri Pack 150 Unsealed	624 1530	A
13782687	Metri Pack 480 Unsealed	624 1531	A
13782688	Mirco Pack 100 Unsealed	624 1532	A
13782689	Mirco Pack 100 Unsealed	624 1533	A
13782690	Micro Pack 100W	624 1534	A
13782691	DHD 1.6	624 1535	A
13782692	DHD 1.6	624 1536	A
13782693	Metri Pack 480 Sealed	624 1537	A
13782694	100V DHD 20	624 1538	A

Delphi P/N	Product Family	Rennsteig P/N	Rev
13782695	Yasaki Kaizen 0.64 Microsystem	624 1539	A
13782696	100W Sealed	624 1540	A
13782697	100W Sealed	624 1541	A
13782698	100W Sealed	624 1542	A
13782699	100W Sealed	624 1543	A
13782700	100W Sealed	624 1544	A
13782701	Micro 64 Unsealed	624 1545	A
13782702	GT 630 Sealed	624 1573	A
13782703	GT 630 Unsealed	624 1574	A
13782704	GT 630 Unsealed	624 1575	A
13782705	Micro HVT 1.2 Sealed	624 1576	A
13782706	Micro HVT 1.2 Sealed	624 1577	A
13782707	Micro HVT 064 Sealed	624 1580	A
13782708	Micro HVT 064 Sealed	624 1581	A
13782720	Molex & JST 064 Unsealed	624 363 3 012 DEL	A
13782722	FCI Apex 150	624 324 3 12 DEL	A
13853877	HES 1.6 Thin Wall	624 1597 3 01 DEL	A
13860274	HES 1.6 Regular Wall	624 1598 3 01 DEL	A
13871283		624 9990 3 0 DEL	A
13882808	HES 1.0 Thin Wall	624 1599 3 01 DEL	A
13882809	HES 1.0 Regular Wall	624 1600 3 01 DEL	A
13895391	HES 1.6 Heavy Wal	624 1601 3 01 DEL	A
13915393	GT 150 Sealed	624 1602 3 01 DEL	A
13926169	HES 2.4 Regular Wall	624 1604 3 01 DEL	A
13926172	HES 2.4 Thin Wall	624 1603 3 01 DEL	A
13932558	OCS 0.64 IDR Thin Wall	624 1605 3 012 DEL	A

Additional Die Sets available on request or checkout <http://automotive.rennsteig.us> or scan QR Code.



Additional Tools

Tool	Rennsteig P/N	Description
	6370 0300 1 RT	<ul style="list-style-type: none"> World's first electromechanical driven tool Process monitoring via LED-Display Low maintenance, due to electromechanical drive mechanism LED illuminated work area, Low noise, compared to hydraulic driven tools Quickstop function, increase safety and prevents overcrimping, Energy-saving function
	636 025-5	<ul style="list-style-type: none"> Crimping machine with sliding tray for most of the crimp dies and locators of the Rennsteig Crimp System Tool Connector and cable are held in the open bottom section Wire clamps in for safe working Automatic release following insertion